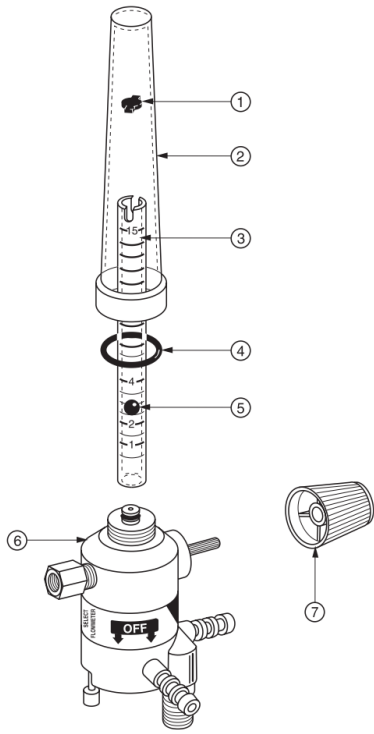


3MFA Replacement Parts



Description		Model# 3MFA1001 0-15 lpm Oxygen 50 psi (3.4 bar)
1	Disc	1114
2	Housing	1143
3	Flow Tube	1010
4	Tetraseal™	1123
5	Float Body	1005
6	Body Assy	503506
7	Knob	508326

International parts specifications and specific ratings are available upon request.